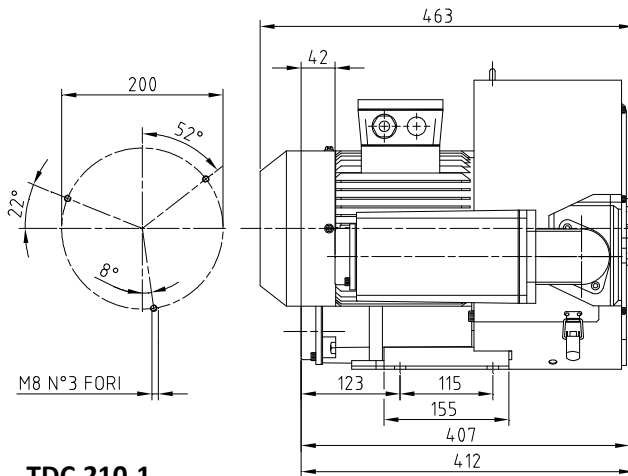
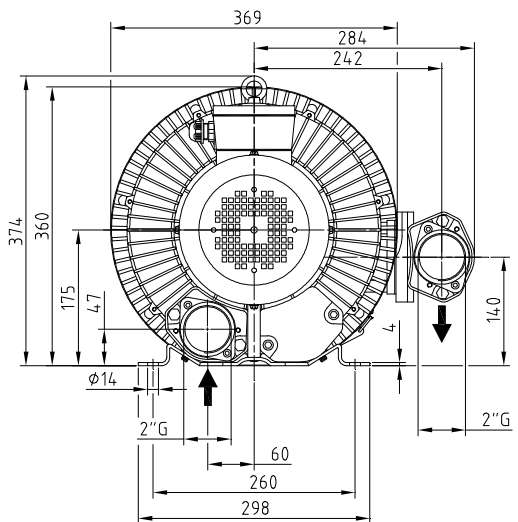
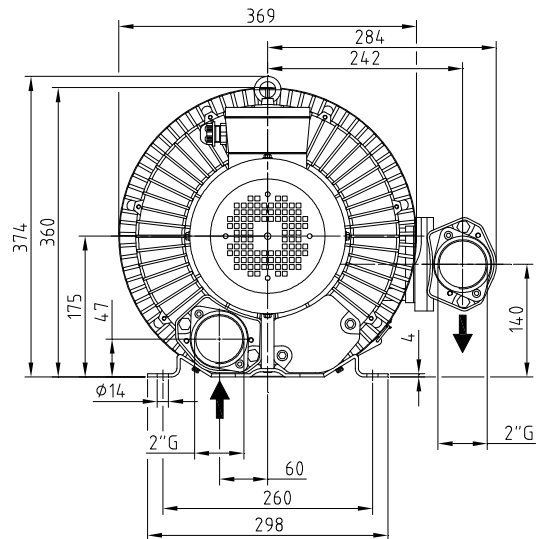


TDC.210



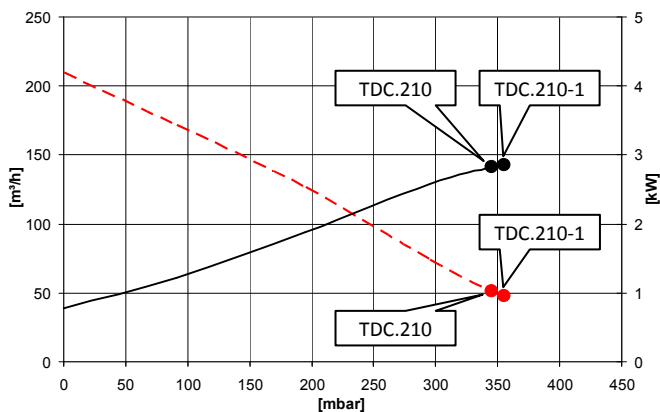
TDC.210-1



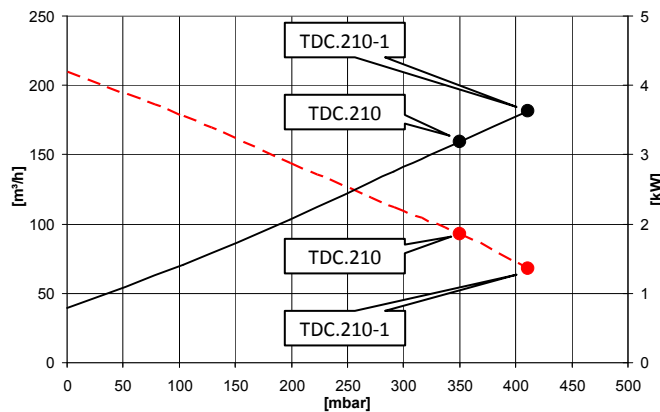
Subject to change without prior notice

Modello Model		TDC.210	TDC.210-1
Codice Code		9403033	9403034
Potenza motore Motor Power	kW (50Hz) kW (60Hz)	3,0 3,6	4,0 4,8
Alimentazione Power supply	V±5% Δ/Y (50Hz) V±5% Δ/Y (60Hz)	220-255 / 380-440 255-277 / 440-480	
Assorbimento Adsorbition	A Δ/Y (50Hz) A Δ/Y (60Hz)	12,5 / 7,2 13,5 / 7,8	14,3 / 8,2 16,2 / 9,3
Portata Flow rate	m ³ /h (50Hz) m ³ /h (60Hz)	210 250	210 250
Vuoto Vacuum	mbar (50Hz) mbar (60Hz)	-345 -400	-355 -410
Sovrappressione Pressure	mbar (50Hz) mbar (60Hz)	+350 +350	+410 +500
Rumorosità (UNI EN ISO 2151) (K 3dB) Noise level (UNI EN ISO 2151) (K 3dB)	dB(A) (50Hz) dB(A) (60Hz)	74 77	74 77
Peso Weight	kg [N]	43,6 [427,7]	45,2 [443,4]

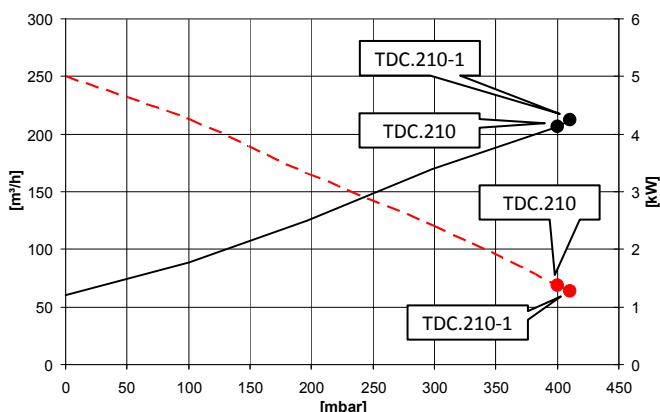
Vacuum @ 50Hz – 400V



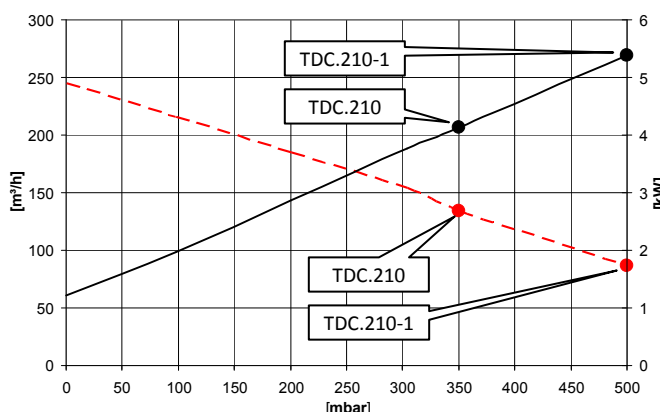
Pressure @ 50Hz – 400V



Vacuum @ 60Hz – 460V



Pressure @ 60Hz – 460V

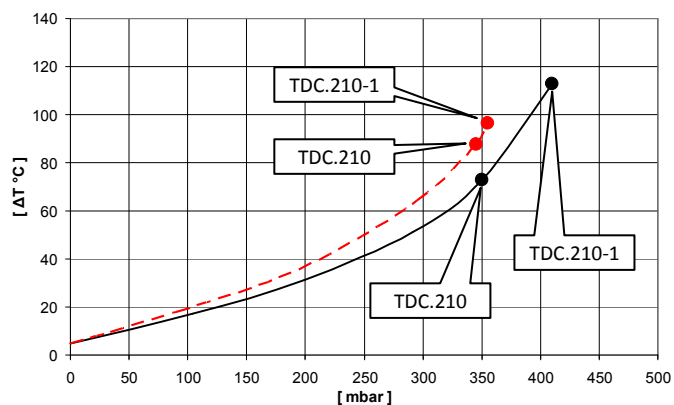


----- Portata / Flow rate

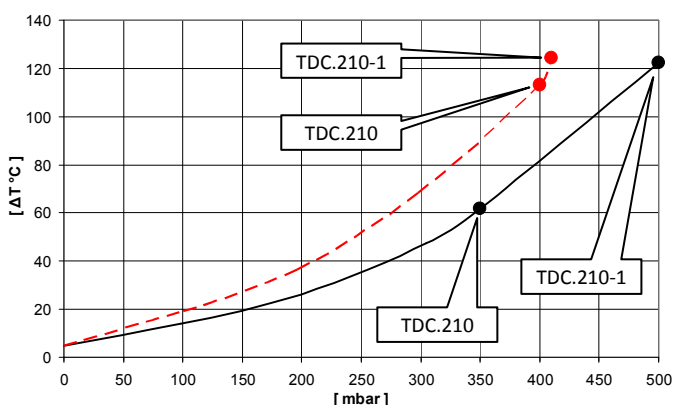
————— Pot. Assorbita / Absorbed Power

Curve riferite alla pressione di 1013mbar (Ass.) e temperatura 20°C (tolleranza ±10%)
Curves referes to 1013mbar (Abs.) pression and 20°C temperature (tolerance ±10%)

50Hz – 400V



60Hz – 460V



----- Aspirazione / Suction

————— Mandata / Compression

Temperatura ambiente 20°C (tolleranza sulla temperatura ΔT ±5°C)
Room temperature 20°C (tolerance on temperature ΔT ±5°C)

Subject to change without prior notice